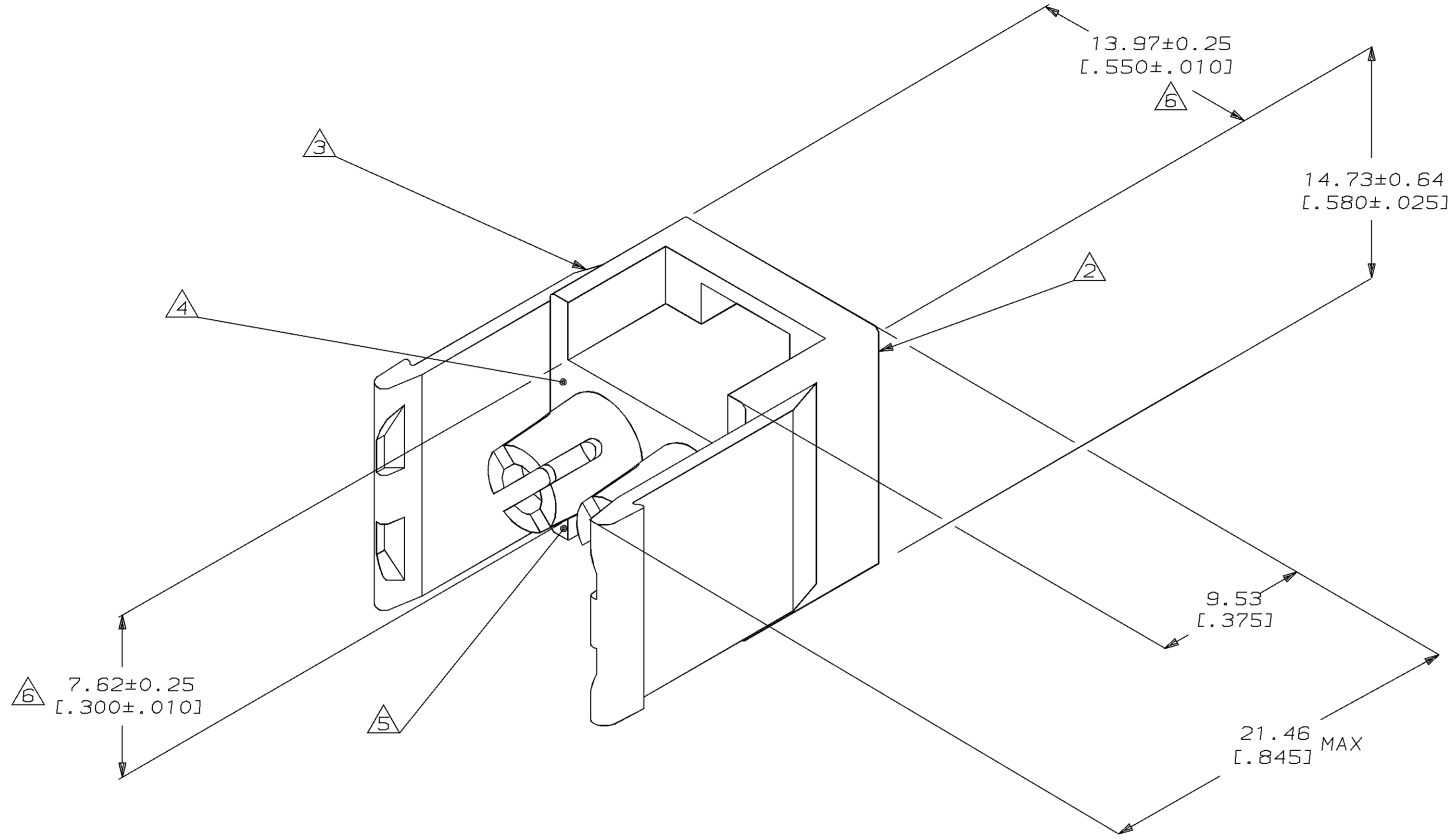


LOC		DIST		P		F		ZONE		LTR		REVISIONS			
CM	53											DESCRIPTION	DATE	APPD	
												D	REV PER EC 0730-0212-94	11-22-94	JH



1. MUST BE ASSEMBLED WITH CAP FRONT P/N 770045-1 BEFORE MATING. KIT P/N IS 770024-1.
2. AMP LOGO LOCATED THIS SURFACE.
3. UL AND CSA LOGOS LOCATED THIS SURFACE.
4. CIRCUIT NO. 1 IDENTIFICATION BUTTON LOCATED APPROXIMATELY AS SHOWN FAR SIDE.
5. LOCATION OF CIRCUIT NUMBERS MOVE BUT WILL REMAIN ADJACENT TO APPROPRIATE CAVITY (LOCATED FAR SIDE).
6. DIMENSION INDICATED IS AS MOLDED. ADDITIONAL GROWTH DUE TO SUBSEQUENT MOISTURE ABSORPTION MAY OCCUR.

770046-1  
PART NUMBER



DO NOT SCALE PRINT. UNLESS SPECIFIED DIMENSIONS IN INCHES TOLERANCES ON:		DR 1-15-92 K. SALMON		AMP INCORPORATED Harrisburg, Pa. 17105	
1. ± .005		CHK 1-15-92 R. SWING			
2. ± .005		APPD 1-16-92 M. TRULL		NAME CAP REAR, 2 CIRCUIT, UNIVERSAL MATE-N-LOK™ II	
3. ± .005		APPD 1-16-92 M. TRULL			
MATERIAL NYLON, UL94V-0,		PRODUCT SPEC		DRAWING NO 770046	
FINISH		APPLICATION SPEC		SIZE D	FSCM NO 00779
				SCALE 5:1	SHEET 1 OF 1

CUSTOMER DRAWING